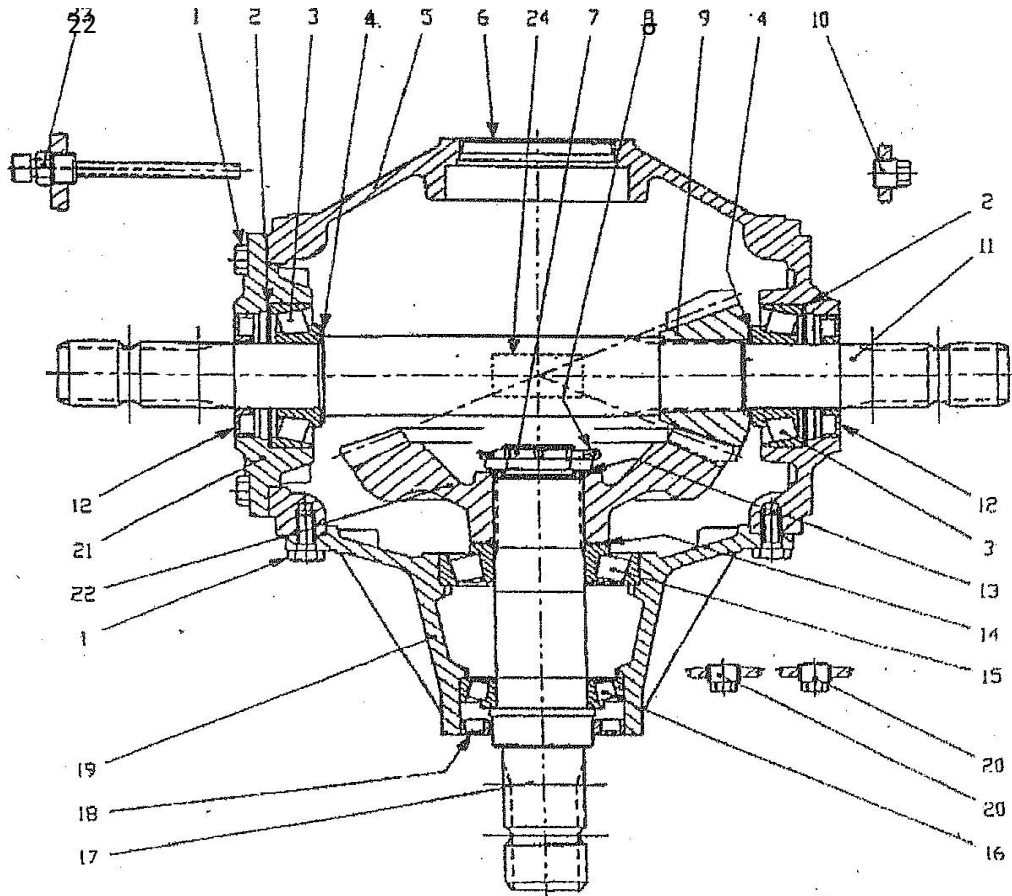
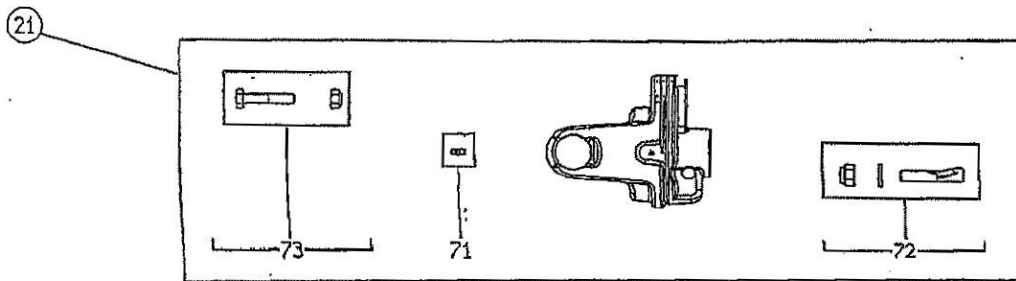
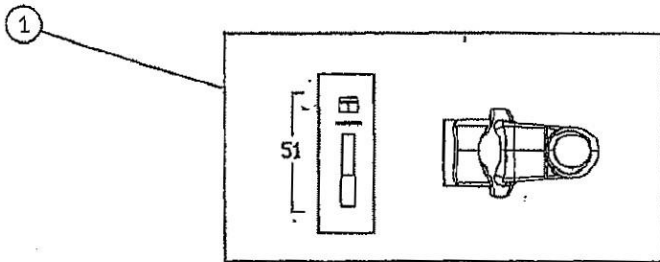
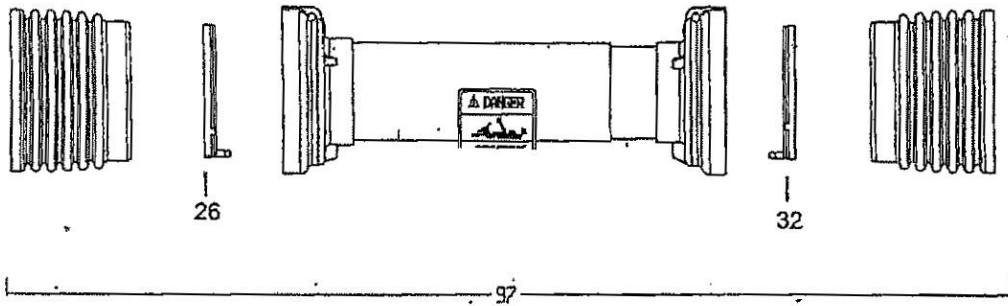
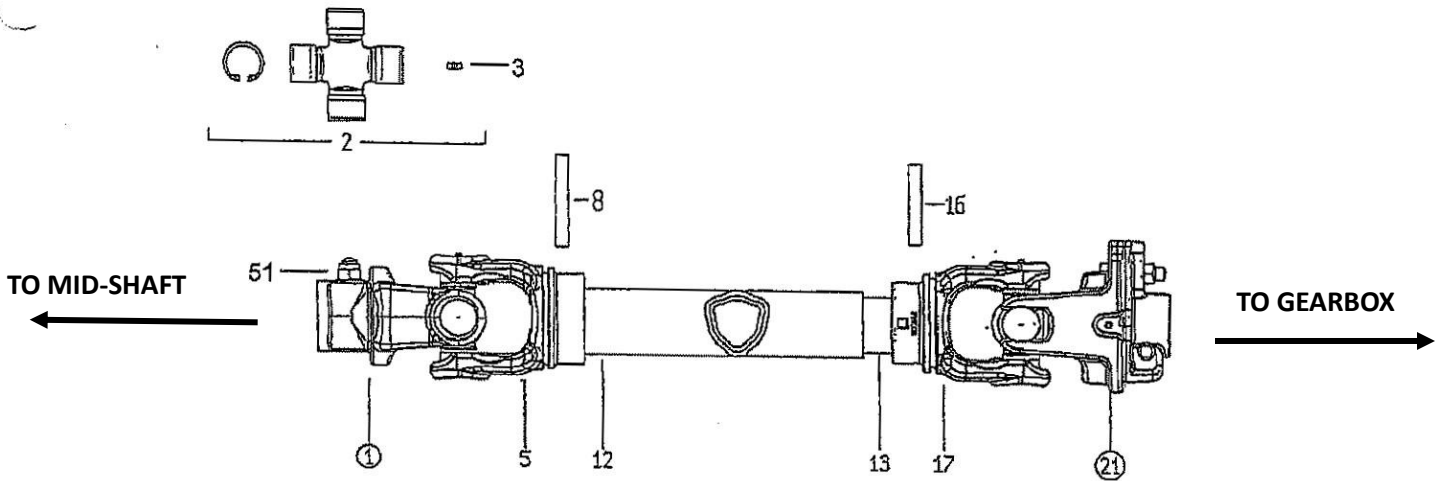


12' HCL COMPOST TURNER GEARBOX PARTS BREAKDOWN CGB 500A (COMPLETE GEARBOX)



REF*	QTY	HCL PART # DESCRIPTION	REF#	QTY	HCL PART # DESCRIPTION
1	18	CGB 504 METRIC BOLT	12	2	CGB 510 OIL SEAL
2	1	CGB 530 SHIM KIT	15	1	CGB 513 BEARING
3	2	CGB 506 BEARING	16	1	CGB 116 BEARING
6	1	CGB 508 CAP	17	1	CGB 511 SHAFT
7	1	CGB 509 METRIC NUT	18	1	CGB 515 OIL SEAL
8	1	CGB 518 COTTERPIN	20	2	CGB 516 PLUG
9	1	CGB 520 PINION GEAR, 15 TEETH FITS CGB 500, SIN's CT100 - CT379	22	1	CGB 522 CROWN WHEEL, 29 TEETH FITS CGB 500, SIN's CT100 - CT379
9	1	CGB 520A PINION GEAR, 17 TEETH FITS CGB 500A. SIN's CT388 & ABOVE	22	1	CGB 522A CROWN WHEEL, 27 TEETH FITS CGB 500A, SIN's CT388 & ABOVE
10	1	CGB 121 PLUG	23		CGB 519 PLUG
11	1	CGB 507 SHAFT			

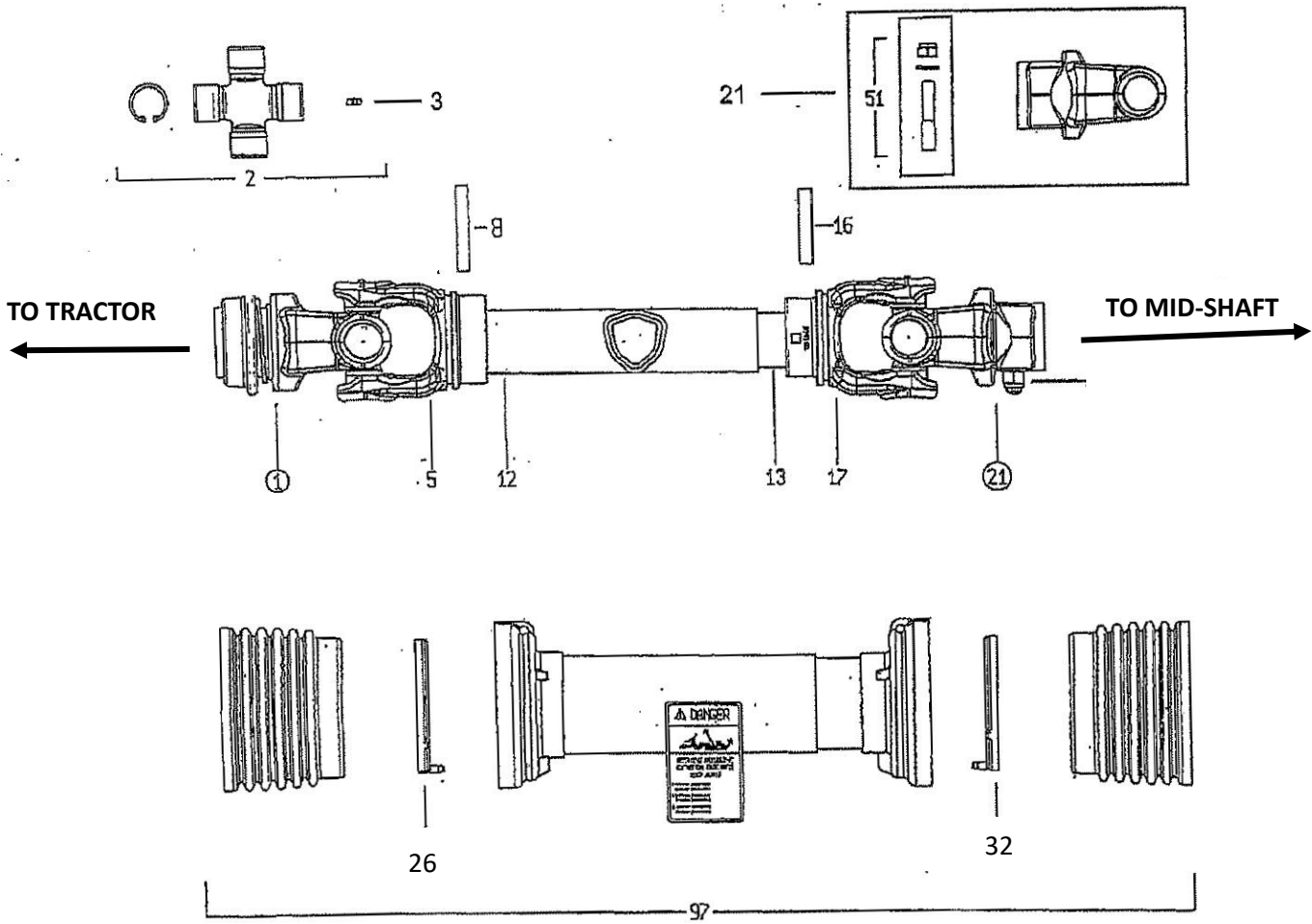
12' REAR DRIVELINE WITH SHEARBOLT CLUTCH – 500A SERIES pg 5



12 REAR DRIVELINE WITH SHEAR BOLT CLUTCH – 503A

REF#	QTY	DESCRIPTION	PART#
12	1	CARDAN TUBE - OUTER G9	CDL 508
13	1	CARDAN TUBE - INNER G9	CDL 509
21	1	SHEAR BOLT CLUTCH ASSY 1-3/4 - 20 SPLINE	CDL 512
71	1	GREASE FITTING M6X1 STRAIGHT	CDL 620
72	1	TAPER PIN 16X72XM14 W/NUT & WASHER	CDL 621
73	1	SHEAR BOLT W/NYLON LOCK NUT	COL 513
1	1	YOKE TO MID SHAFT 1-3/4 - 20 SPLINE	CDL 504
2	2	CROSS (U-JOINT)	CDL 511A
3	2	6mm STRIGHT ZERK	CDL 511B
5	1	YOKE - OUTER TUBE	COL 515A
	1	ROLL PIN - OUTER TUBE	CDL 514
16	1	ROLL PIN - INNER TUBE	CDL 510
17	1	YOKE - INNER TUBE	CDL 516A
51	1	TAPER PIN KIT 1-3/4"-3 PINS	CDL 105
	1	SHIELD KIT	CDL 507A
26	1	BRG SHIELD SUPPORT - OUTER	CDL 517
32	1	BRG SHIELD SUPPORT - INNER	CDL 518

CDL 505A 12' FRONT DRIVELINE WITHOUT CLUTCH



12' FRONT DRIVELINE WITHOUT CLUTCH-500A SERIES

1	1	YOKE TO TRACTOR, 1-3/8 - 6 SPLINE	CDL 502
12	1	OUTER TUBE SHAFT	COL 508
13	1	INNER TUBE SHAFT	CDL 509
21	1	YOKE TO MID SHAFT 1-3/4 - 20 SPLINE	CDL 504
2	2	#8 CROSS (U-JOINT)	CDL 511A
3	2	6mm STRIGHT ZERK	CDL 511B
5	1	OUTER TUBE YOKE	CDL515A
8	1	ROLL PIN - OUTER TUBE	CDL 514
16	1	ROLL PIN - INNER TUBE	CDL 510
17	1	INNER TUBE YOKE	CDL 516A
51	1	TAPERED PIN KIT 1-3/4" - 3 PINS	CDL 105
97	1	SHIELD KIT	CDL 507A
26	1	BRG SHIELD SUPPORT - OUTER	CDL 517
32	1	BRG SHIELD SUPPORT - INNER	CDL 518